

# HUBER+SUHNER® DATA SHEET

## SENCITY® ACCESSORY

### FOR OMNI ANTENNA

Rev: A



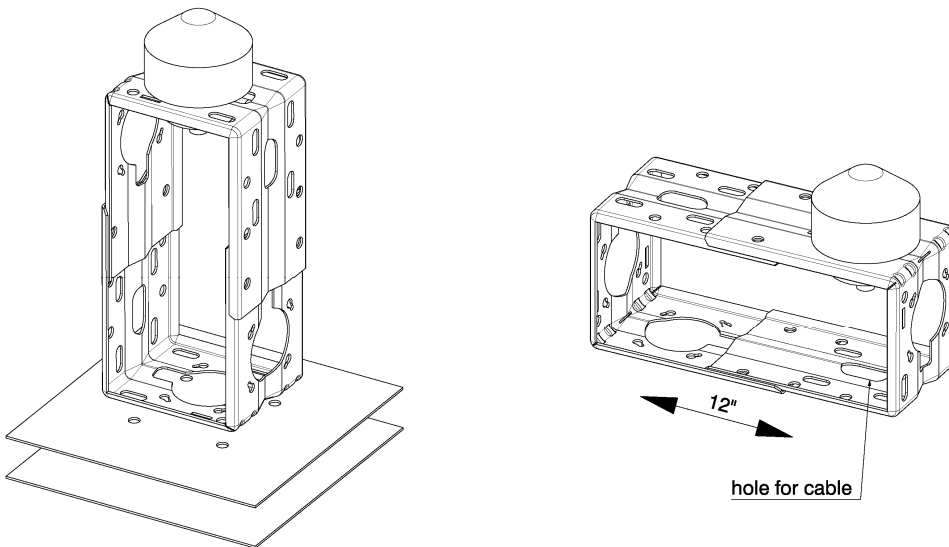
#### Other Bracket 9091.99.0186

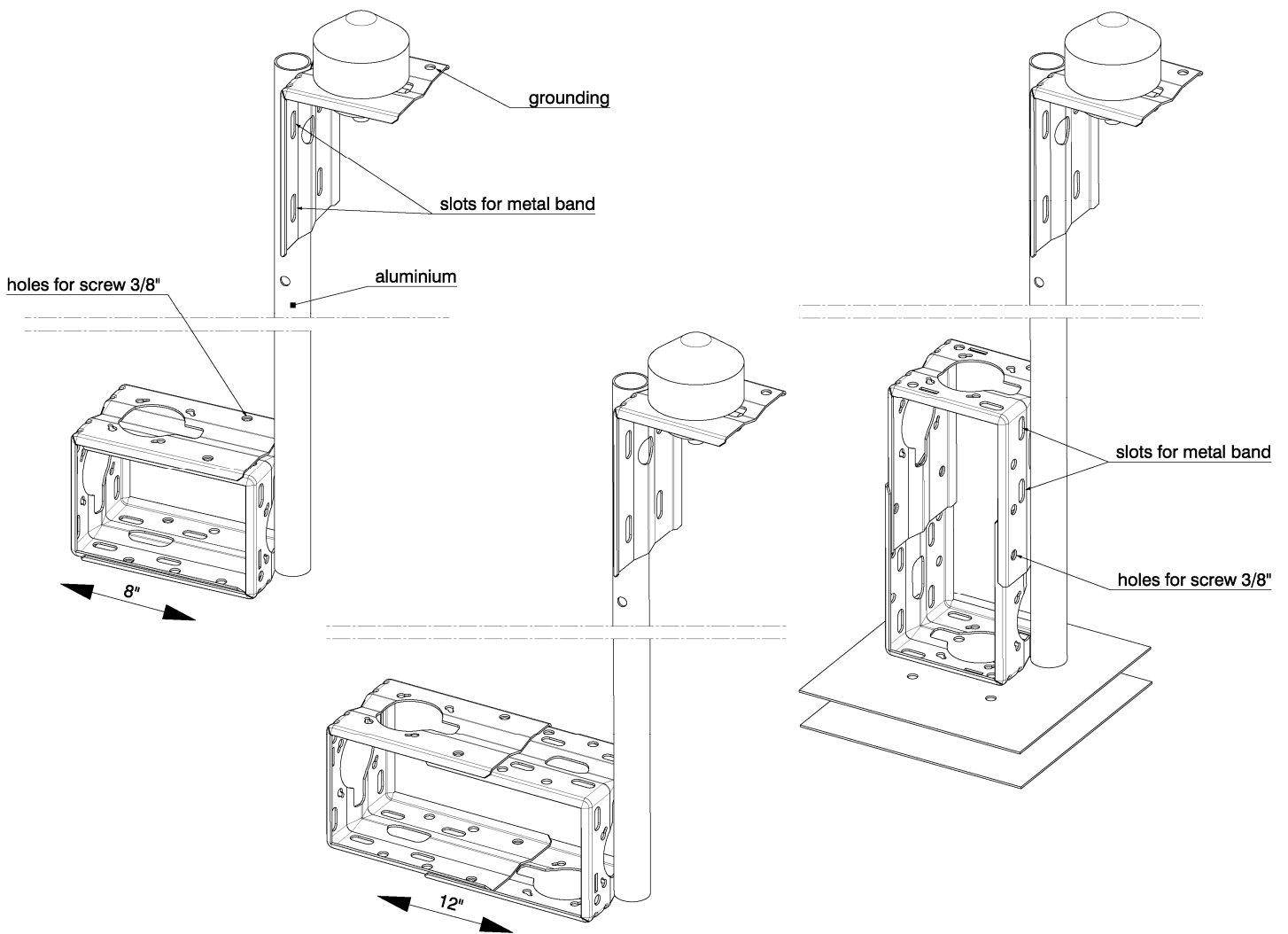
Type no.	Article no.
9091.99.0186	84007348

#### Included parts:

- 2 U-brackets
- 1 L-bracket
- 1 pipe  $\varnothing$  36 x 990 mm ( $\varnothing$  1.42" x 38.98")
- 2 plates
- 4 metal bands 40 – 67 mm (1.57" – 2.64")
- 4 hexagonal screws long (UNC 3/8"-16x3")
- 4 hexagonal screws short (UNC 3/8"-16x1")
- 8 hexagonal nuts (UNC 3/8"-16)
- 8 washer (3/8")
- 8 spring washer (3/8")

#### Mounting options:





HUBER+SUHNER is certified according to ISO 9001 and ISO 14001

**WAIVER!**  
 It is exclusively in written agreements that we provide our customers with warrants and representations as to the technical specifications and/or the fitness for any particular purpose. The facts and figures contained herein are carefully compiled to the best of our knowledge, but they are intended for general informational purposes only.



**HUBER+SUHNER AG**  
**RF Industrial**  
**9100 Herisau, Switzerland**  
 Phone +41 (0)71 353 41 11  
 Fax +41 (0)71 353 45 90  
[www.hubersuhner.com](http://www.hubersuhner.com)

**HUBER+SUHNER – Excellence in Connectivity Solutions**